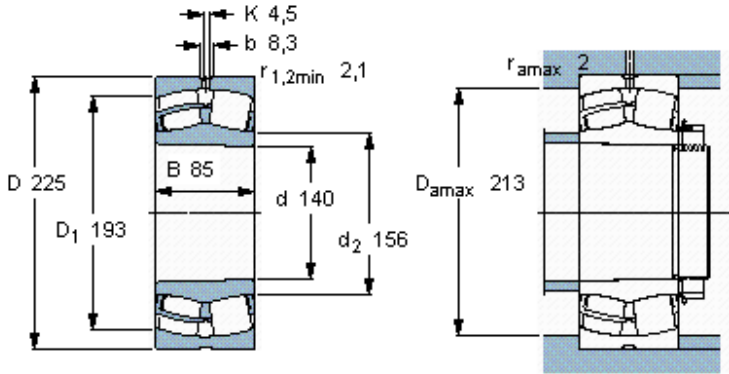


Spherical roller bearings, cylindrical and tapered bore

| Principal dimensions | | | Basic load ratings | | Speed ratings | | Designation |
|----------------------|-----|----|--------------------|--------------|-----------------|----------------|--|
| d | D | B | dynamic C | static C0 | Reference speed | Limiting speed | |
| mm | | | kN | | r/min | | |
| 140 | 225 | 85 | 796 | 1160 | 1600 | 2200 | * SKF Explorer bearing 24128 CCK30/W33 * |



Tapered bore, taper
1: 30

Calculation factors

- e 0,35
- Y_1 1,9
- Y_2 2,9
- Y_0 1,8